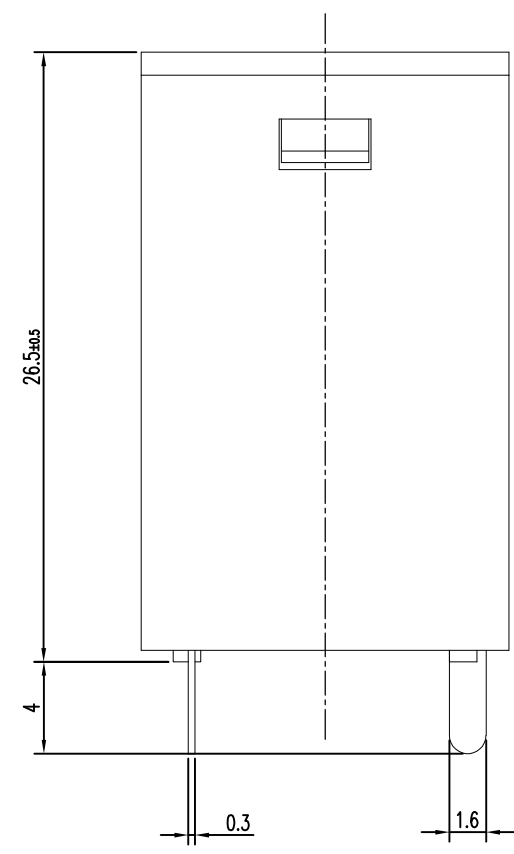
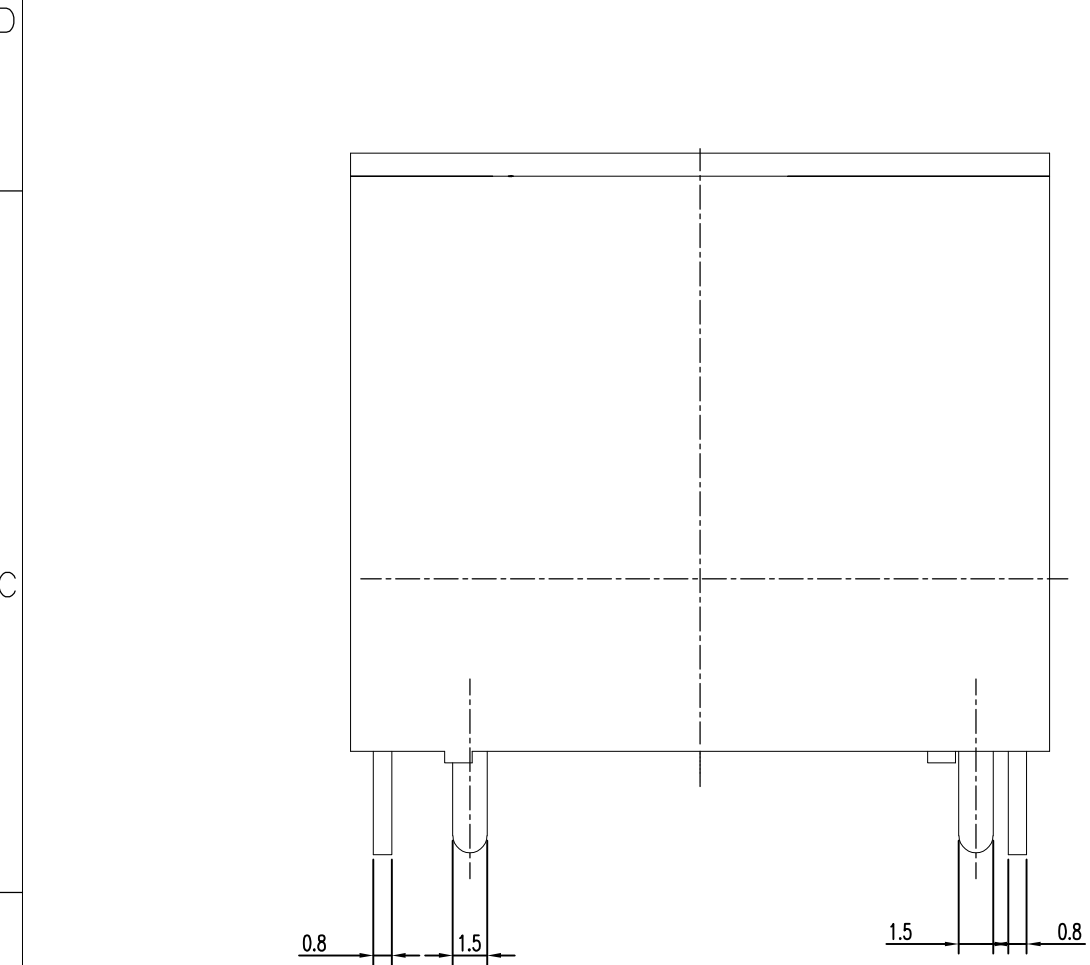
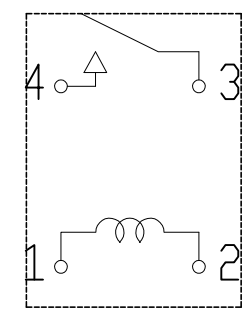


LOC HB	DIST	REVISIONS					
		P	LTR	DESCRIPTION	DATE	DWN	APVD
			C2	REVISED PER ECO-11-005140	29MAR11	RK	HMR



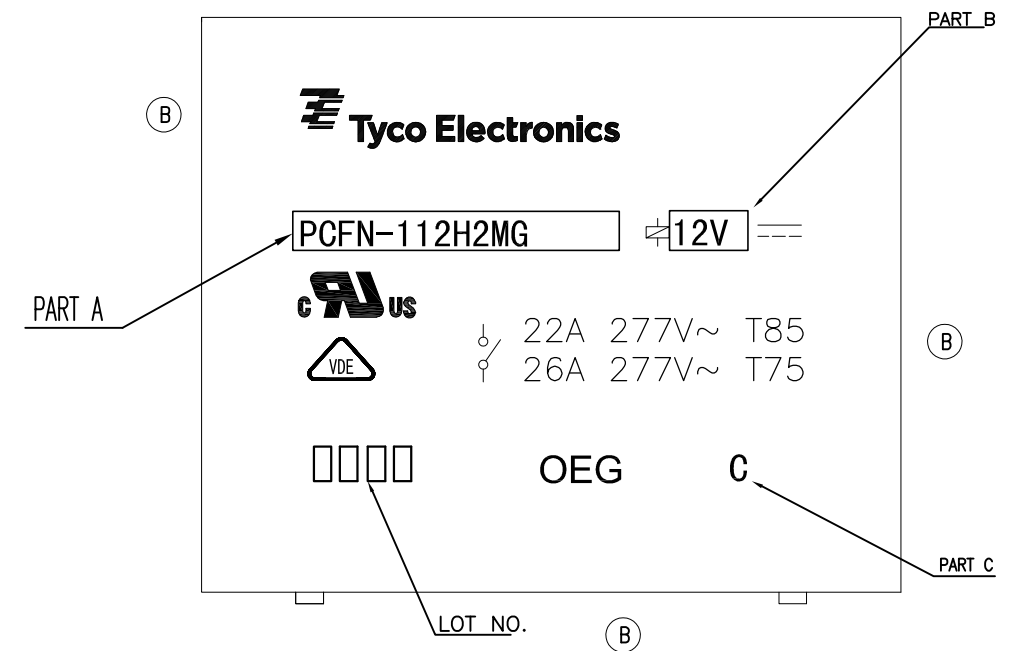
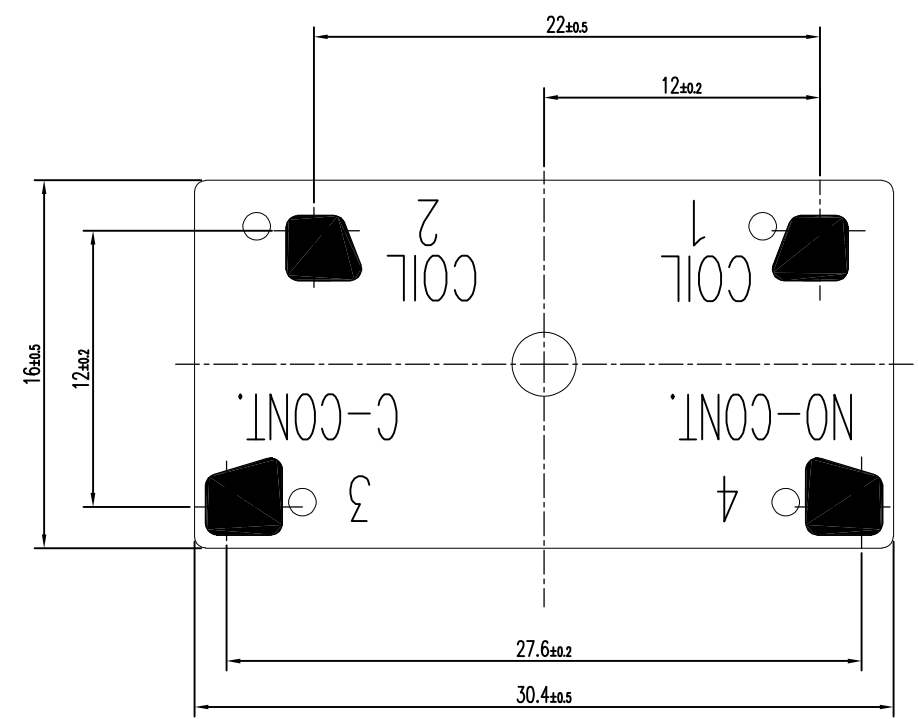
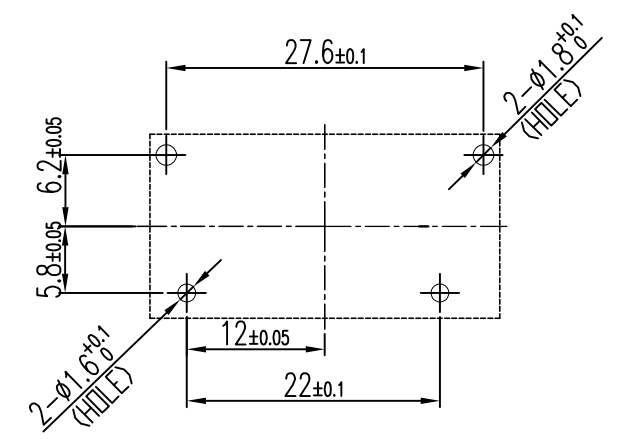
"C"

CIRCUIT DIAGRAM(BOTTOM VIEW)



VIEW C

DRILLING DIAGRAM (BOTTOM VIEW)



DIMS: mm		TOLERANCES UNLESS OTHERWISE SPECIFIED:		DWG BY.FENG				
MATERIAL SEE MATERIAL TABLE		FINISH		CHK BH.YU				
0 PLC ±		1 PLC ±0.1		APVD SN.ZHANG	SIZE A3	GAGE CODE 00779	DRAWING NO. C- 1721929	RESTRIC TO
2 PLC ±		3 PLC ±		PRODUCT SPEC	CUSTOMER DRAWING			
4 PLC ±				APPLICATION SPEC	SCALE 3:1 SHEET 1 OF 2 REV C2			
				WEIGHT				

(B)

1721929-2	PCFN-124H2MG	24V	PCFN-124H2MG	(C1)
1721929-1	PCFN-112H2MG	12V	PCFN-112H2MG	
PART NO	TYPE NAME	PART B	PART A	

NOTE
1. LOT NO. SYSTEM AS FOLLOWSING:
0 6 1 9
WEEK
YEAR

2.GENERAL TOLERANCE:

Diagram dimension	Tolerance
0.99mm max.	±0.1mm
1 - 2.99mm	±0.2mm
3mm min.	±0.3mm

(C1) 3.TERMINAL DIMENSION IS NOT INCLUDING SOLDER TIP.

		EPOXY RESIN	SEAL	17
CLASS 155 F		MW79	MAGNETIC WIRE	16
UL 94V-0		PBT	CASE	14
UL 94V-0		PBT	BASE	13
UL 94V-0		PBT	BOBBIN	12
	SOLDER DIP	Cu ALLOY	COIL TERMINAL R	11
	SOLDER DIP	Cu ALLOY	COIL TERMINAL L	10
		STAINLESS	HINGE SPRING	9
		Ag ALLOY	STATIONARY CONTACT	8
		Ag ALLOY	MOVABLE CONTACT	7
	SOLDER DIP	Cu ALLOY	MOVABLE SPRING	6
	SOLDER DIP	Cu ALLOY	STATIONARY TERMINAL	5
	SOLDER DIP	Cu ALLOY	MOVABLE TERMINAL	4
	Ni PLATED	STEEL	CORE	3
	Ni PLATED	STEEL	ARMATURE	2
	Ni PLATED	STEEL	YOKE	1
INCOMBUSTIBILITY	TREATMENT	MATERIAL	DESCRIPTION	ITEM

DWN BY.FENG		STE TE Connectivity	
CHK BH.YU			
APVD SN.ZHANG		PCFN CUSTOMER DRAWING	
PRODUCT SPEC			
APPLICATION SPEC		RESTRIC TO	
MATERIAL SEE MATERIAL TABLE		SIZE A3	GAGE CODE 00779
FINISH		DRAWING NO. C- 1721929	
CUSTOMER DRAWING		WEIGHT	SCALE 3:1
		SHEET 2 OF 2	
		REV C2	